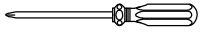


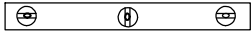
Installation Instructions

MEL-2436-OV/MEL-3048-OV

SUGGESTED TOOLS AND MATERIALS



Screwdriver



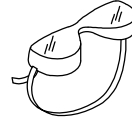
Level



Drill



Tape Measure



Safety Glasses

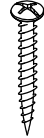


Pencil

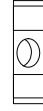
PARTS & HAREWARE INCLUDED



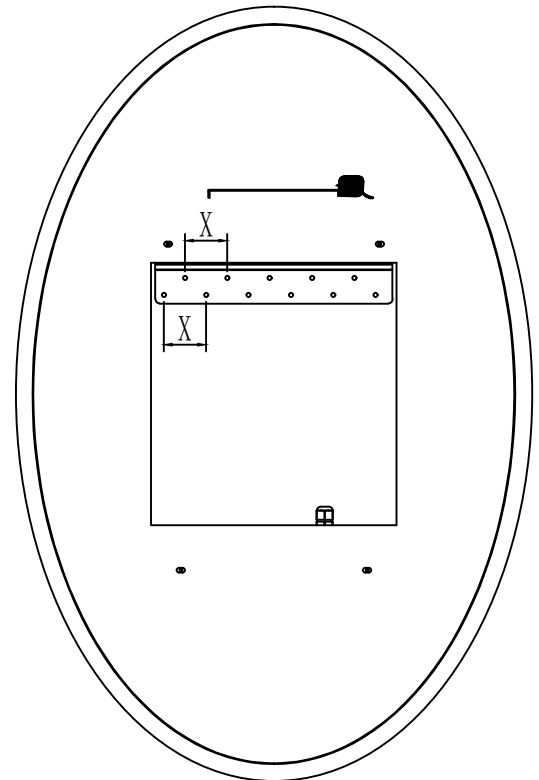
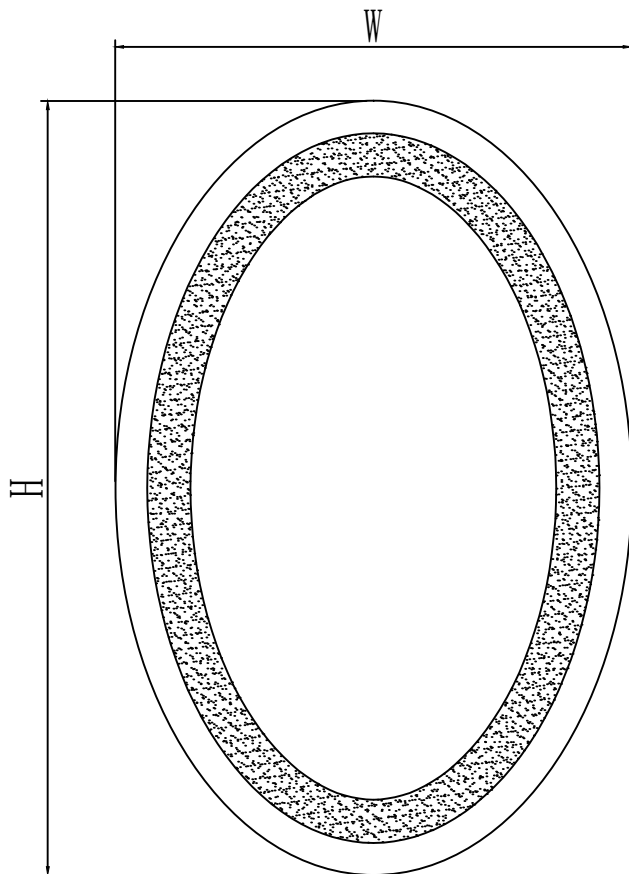
Anchor 6x



Screw 6x



Level 1x



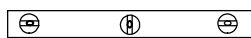
Installation Instructions

MEL-2436-OV/MEL-3048-OV

SUGGESTED TOOLS AND MATERIALS



Screwdriver



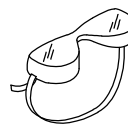
Level



Drill



Tape Measure



Safety Glasses



Pencil

PARTS & HAREWARE INCLUDED



Anchor 6x

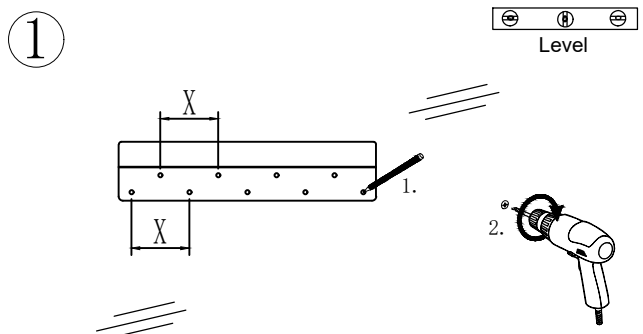


Screw 6x

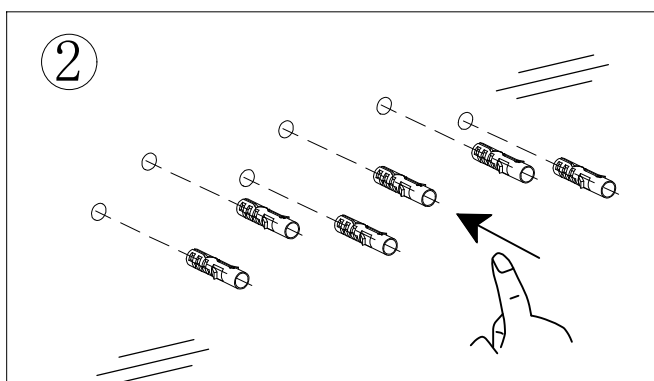


Level 1x

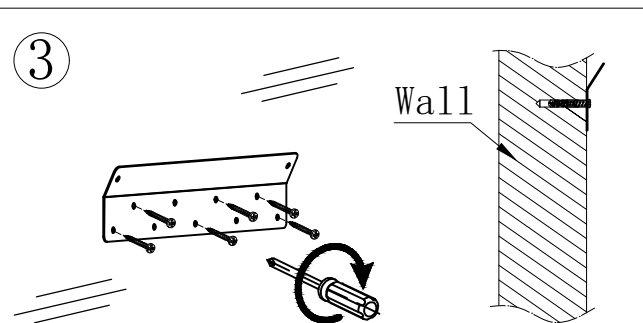
INSTALLATION INSTRUCTIONS



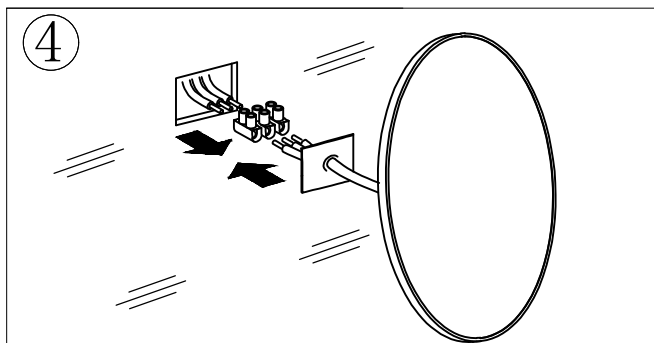
1>Level the hanging cleat with a level ruler and mark the installation hole position of the hanging cleat with a pencil
2>Drill holes



Insert the anchors into the wall(Use at least 5 anchors).

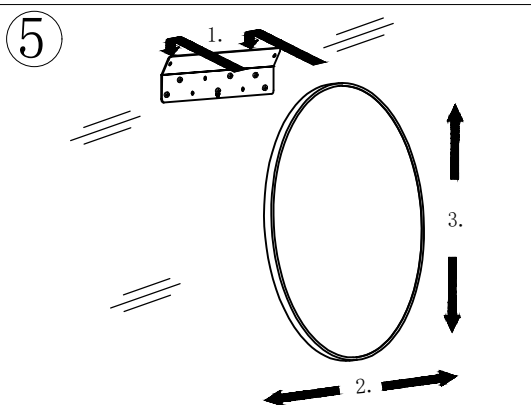


Install the hanging cleat into the wall.
Use 5x45mm screws to hanging cleat to wall(Use at least 5 screws).



Wiring from light fitting

| | | | | | |
|---------------------|---|---|---|---|--------------|
| Neutral Wire | — | ⊖ | ⊖ | — | white(N) |
| Earth(green/yellow) | — | ⊖ | ⊖ | — | Green/yellow |
| Live Wire | — | ⊖ | ⊖ | — | black(L) |



Hang the mirror onto the wall.

